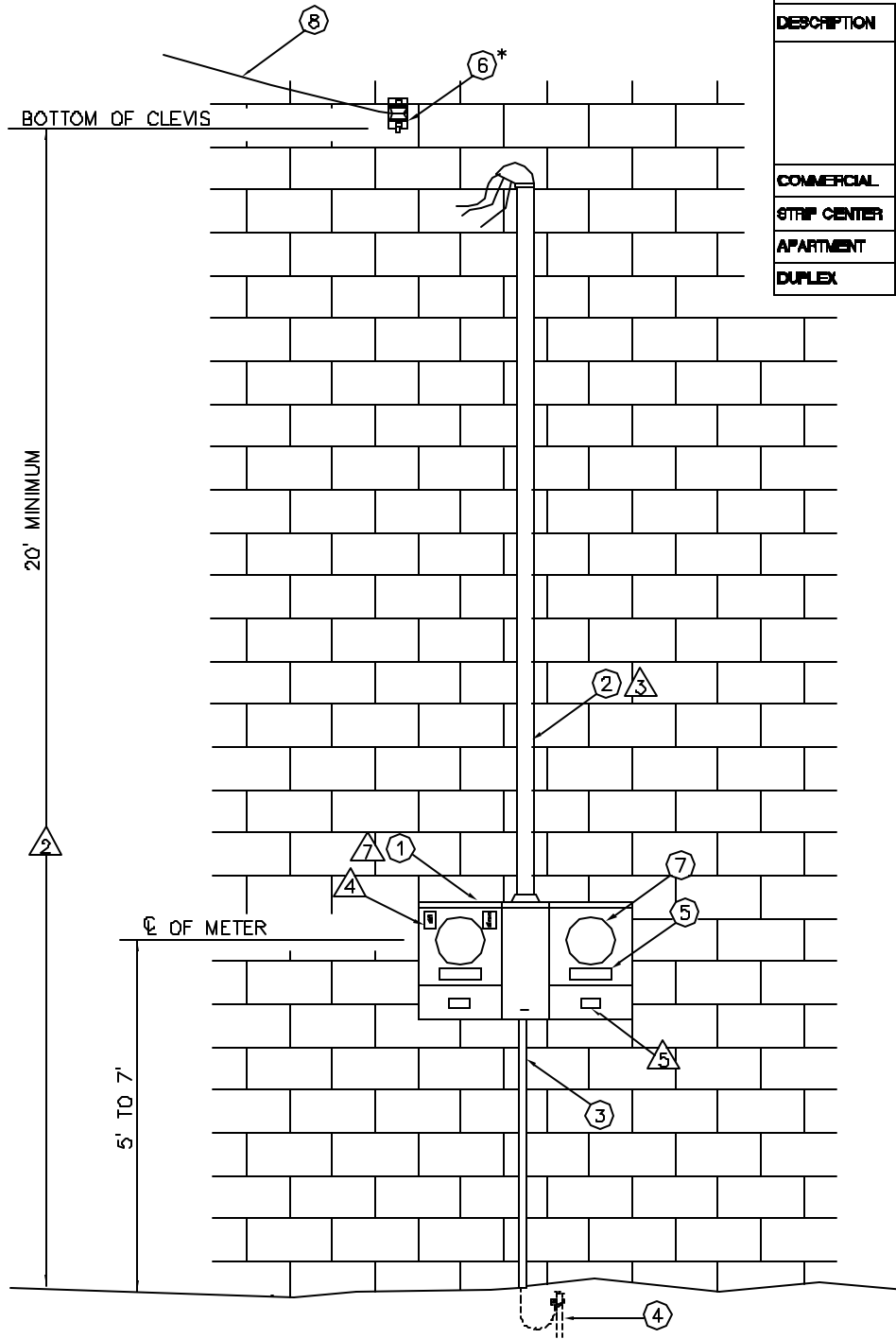


SO-MS2

APPLICATION GUIDE				
DESCRIPTION	VOLTAGE			
	OH/UG 1 ϕ 120/240 V	OH/UG 1 ϕ 120/208 V	OH/UG 1 ϕ /3 ϕ 120/208 V	OH 1 ϕ /3 ϕ 120/240 V
COMMERCIAL	X	X	X	X
STRIP CENTER	X	X	X	X
APARTMENT	X	X		
DUPLEX	X	X		



△ GENERAL NOTES

SEE PAGE 2 FOR NOTES

ELECTRIC SERVICE STANDARD
CITY UTILITIES OF SPRINGFIELD MO.

DRAWN BY: G.GUEVARA	SERVICE OVERHEAD METER STACK SERVICE 2-METERS MAXIMUM 400 AMP MAXIMUM
REV BY: W.BROOKS	
FILE: SQ-MS21	
APPROVED: 08/19/02	REVISED: 08/19/02
SHEET OF 1 OF 2	
BTD. NO. 80-MS2	

MATERIAL LIST

QTY.	DESCRIPTION	STOCK NO.	QTY.	DESCRIPTION	STOCK NO.
	FURNISHED and INSTALLED BY CUSTOMER			FURNISHED BY CITY UTILITIES	
1.	1 DUPLEX METER SOCKETS WITH SEPARATE MAIN DISCONNECTS (RAINTIGHT) 4 TERMINAL SOCKET FOR 1Ø 120/240 V. 5 TERMINAL SOCKET FOR 1Ø 120/208 V. 7 TERMINAL SOCKET FOR 1Ø/3Ø 120/240 V. 7 TERMINAL SOCKET FOR 1Ø/3Ø 120/208 V.		*8. 1	INSULATED NEUTRAL CLEVIS	1021B3
2.	AS REQD SERVICE ENTRANCE CONDUIT(S) AND CONDUCTORS - Δ		7. 2	4 TERMINAL METER FOR 1Ø 120/240 V. 5 TERMINAL METER FOR 1Ø 120/208 V. 7 TERMINAL METER FOR 1Ø/3Ø 120/240 V. 7 TERMINAL METER FOR 1Ø/3Ø 120/208 V.	
3.	AS REQD GROUNDING ELECTRODE CONDUCTOR - Δ		8. AS REQD	SERVICE DROP CONDUCTOR SIZE & LENGTH AS REQUIRED	
4.	AS REQD GROUNDING ELECTRODE - Δ				
5.	AS REQD SERVICE ADDRESS TAG (PERMANENTLY ATTACHED) MINIMUM 3/8" LETTER HEIGHT				
				* FURNISHED BY CITY UTILITIES INSTALLED BY CUSTOMER PICK UP AT 825 N. BELCREST	



GENERAL NOTES

- CUSTOMER TO VERIFY SIZE AND LOCATION OF ALL SERVICE EQUIPMENT WITH CITY UTILITIES AND APPROPRIATE INSPECTION AUTHORITY BEFORE BEGINNING WORK.
- MINIMUM ATTACHMENT HEIGHT IS 20'.
- THE SERVICE ENTRANCE CONDUITS MAY EXTEND ABOVE THE ROOF AND SUPPORT THE DROP CONDUCTORS. WHEN THIS IS DONE, THE CONDUITS SHALL BE RIGID AND BE DESIGNED TO SUPPORT THE PULL OF THE SERVICE DROP CONDUCTORS UNDER ALL WEATHER CONDITIONS.
- FOR 3Ø SERVICE CHECK AND TAG SERVICE TO INDICATE CLOCKWISE (CW) OR COUNTER-CLOCKWISE (CCW) ROTATION AT EACH METER.
- SEPARATE MAIN DISCONNECTS ARE REQUIRED FOR EACH METER.
- WHEN SERVICE ENTRANCE CONDUCTORS ARE INSTALLED AS PARALLEL RUNS, ALL CONNECTIONS SHALL BE IN ACCORDANCE WITH 2005 NEC ARTICLE 310.4.
- FOR COMMERCIAL AND STRIP CENTER INSTALLATIONS, 200 AMP IS THE MINIMUM RECOMMENDED SIZE FOR INDIVIDUAL SERVICE DISCONNECTS.
- SEE SO-CNG FOR PANEL CONNECTION DETAIL WHEN INSTALLING A 120/240 VOLT 4-WIRE COMBINATION SERVICE.
- CHECK WITH LOCAL INSPECTION AUTHORITY TO VERIFY REQUIREMENTS FOR GROUNDING ELECTRODE CONDUCTOR SIZE AND TYPE OF GROUNDING ELECTRODE TO BE USED. ALL GROUNDING TO MEET 2005 NEC ARTICLE 250.

**ELECTRIC SERVICE STANDARD
CITY UTILITIES OF SPRINGFIELD MO.**

DRAWN BY: G.GUEVARA	SERVICE OVERHEAD METER STACK SERVICE 2-METERS MAXIMUM 400 AMP MAXIMUM		
REV BY: W.BROOKS			
FILE: SO-MS22			
APPROVED: 09/14/08	REVISED: 06/01/08	SHEET OF 2 OF 2	STD. NO. SO-MS2