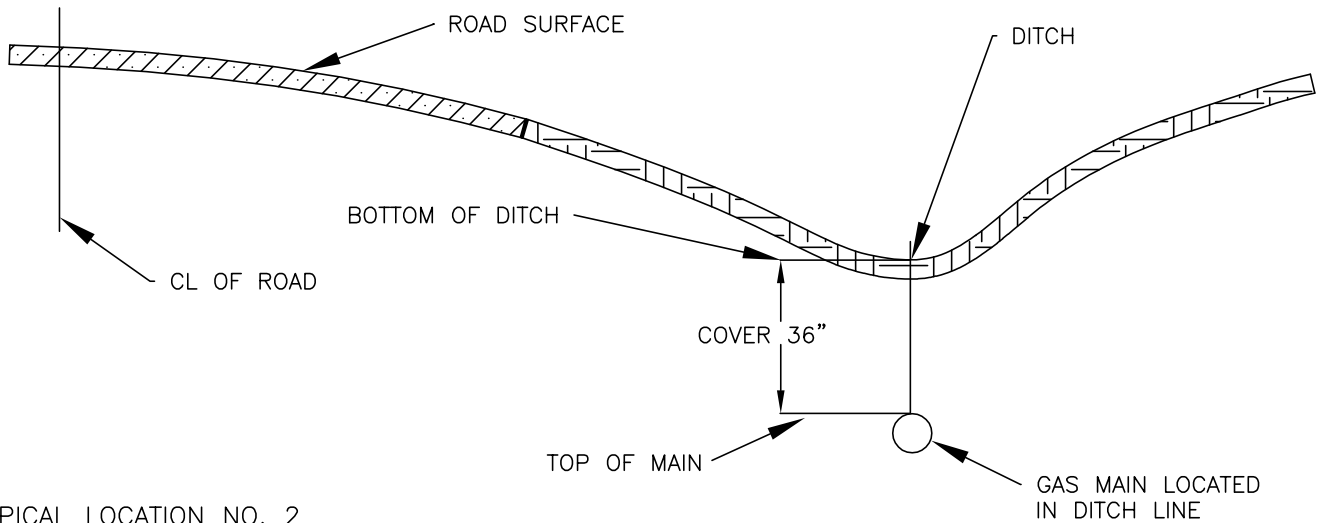
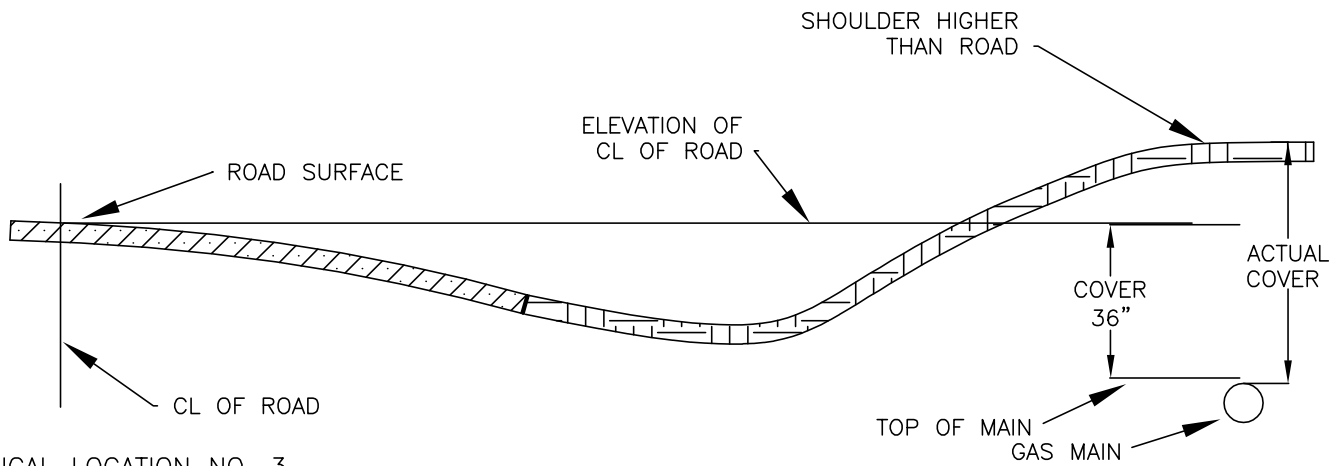


TYPICAL LOCATION NO. 1



TYPICAL LOCATION NO. 2



TYPICAL LOCATION NO. 3



GENERAL NOTES

**CONSTRUCTION STANDARD
CITY UTILITIES
OF SPRINGFIELD, MISSOURI**

**REQUIRED GAS MAIN
DEPTHS**