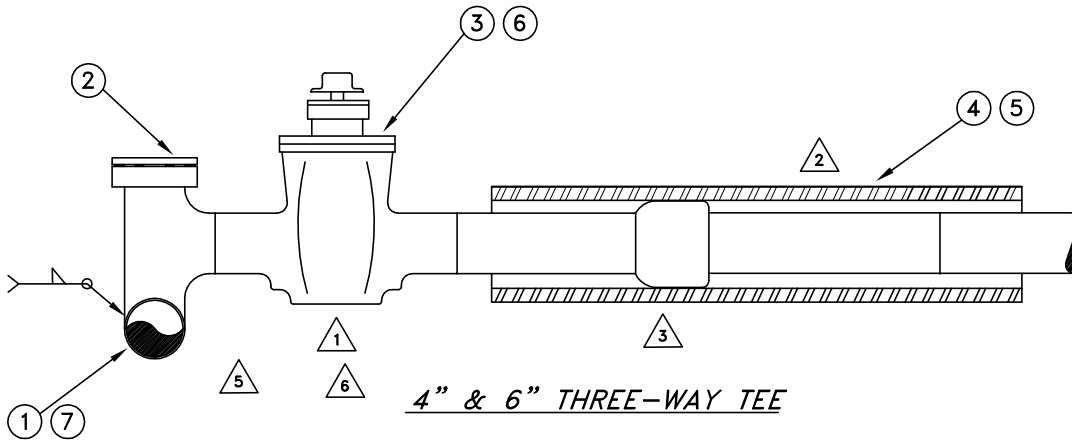


2" THREE-WAY TEE



4" & 6" THREE-WAY TEE

MATERIAL LIST

QTY	DESCRIPTION	STOCK NO.	QTY	DESCRIPTION	STOCK NO.
1	STEEL GAS MAIN		4	TRANSITION FITTING	
2	THREE WAY TEE SIZE: 2" 4" 6"	205322 205334 202508	1	2" 4" 6" SDR 11.5 6" SDR 21	203145 203155 203156 203157
3	WELD X WELD FULL-OPENING GATE VALVE 2" 4" 6"	204446 204453 204460	5	PROTECTIVE SLEEVE (INCLUDED IN TRANSITION PACK)	
			6	VALVE BOX PER GS-170	
			7	17 LB ANODE	202015

GENERAL NOTES

- 1 GATE VALVE TO BE IN CLOSED POSITION DURING WELDING.
- 2 IF SOCKET FUSION IS USED, PROTECTIVE SLEEVE MAY BE TRIMMED AS NECESSARY.
- 3 IF CONNECTING TO STEEL TRANSITION FITTING NOT TO BE INCLUDED.
- 4 RUN TRACER WIRE INSIDE VALVE BOX; TAPE NEAR THE TOP.
- 5 APPLY GLASS MESH AND MASTIC. ALLOW MASTIC TO DRY FULLY BEFORE BACKFILLING.
- 6 COMPACT FILL UNDER VALVE OR BLOCK USING FILLED SAND BAGS.

**CONSTRUCTION STANDARD
CITY UTILITIES
OF SPRINGFIELD, MISSOURI**

**SIDE TAP OFF
OF STEEL MAIN
USING 3-WAY TEE
STEEL VALVES**