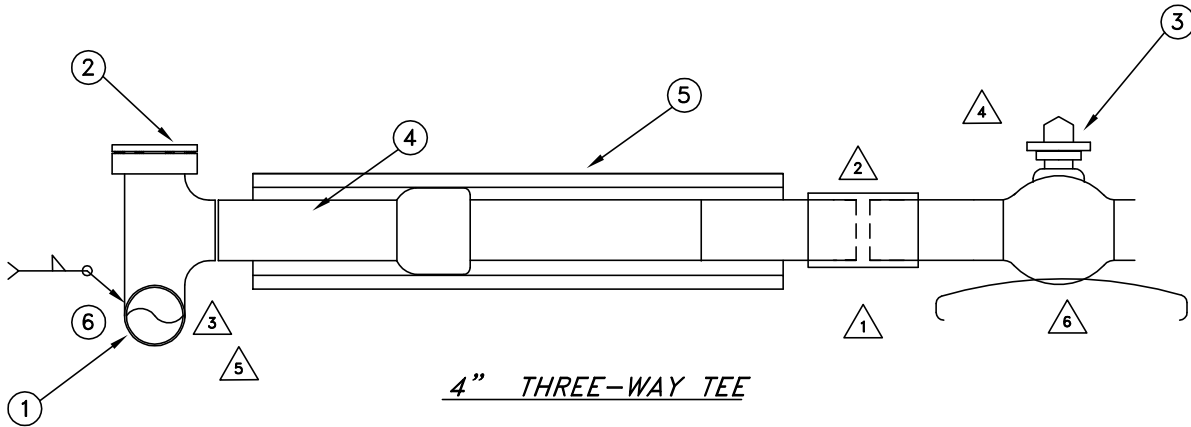


2" THREE-WAY TEE



4" THREE-WAY TEE

**MATERIAL LIST**

QTY	DESCRIPTION	STOCK NO.	QTY	DESCRIPTION	STOCK NO.
1	STEEL GAS MAIN		4	TRANSITION FITTING	
2	THREE WAY TEE SIZE: 2" 4"	205322 205334	1	2" 4"	203145 203155
3	POLYETHYLENE VALVE 2" 4"	204466 204485	5	PROTECTIVE SLEEVE (INCLUDED IN TRANSITION PACK)	
			6	17 LB ANODE	202015

**GENERAL NOTES**

- 1 4" MAY USE EITHER BUTT FUSION OR COUPLINGS.
- 2 2" IS TO USE COUPLINGS ONLY, 6" IS TO USE ELECTROFUSION COUPLINGS ONLY, PROTECTIVE SLEEVE MAY BE TRIMMED AS NECESSARY.
- 3 IF CONNECTING TO STEEL WELD VALVE SHOULD BE USED. OMIT TRANSITION FITTING.
- 4 RUN TRACER WIRE INSIDE VALVE BOX; TAPE NEAR THE TOP.
- 5 APPLY GLASS MESH AND MASTIC. ALLOW MASTIC TO DRY FULLY BEFORE BACKFILLING.
- 6 UNDER VALVE USE SAND BAGS OR WOOD BLOCKING.

**CONSTRUCTION STANDARD  
CITY UTILITIES  
OF SPRINGFIELD, MISSOURI**

**SIDE TAP OFF  
OF STEEL MAIN  
USING 3-WAY TEE  
PLASTIC VALVE**