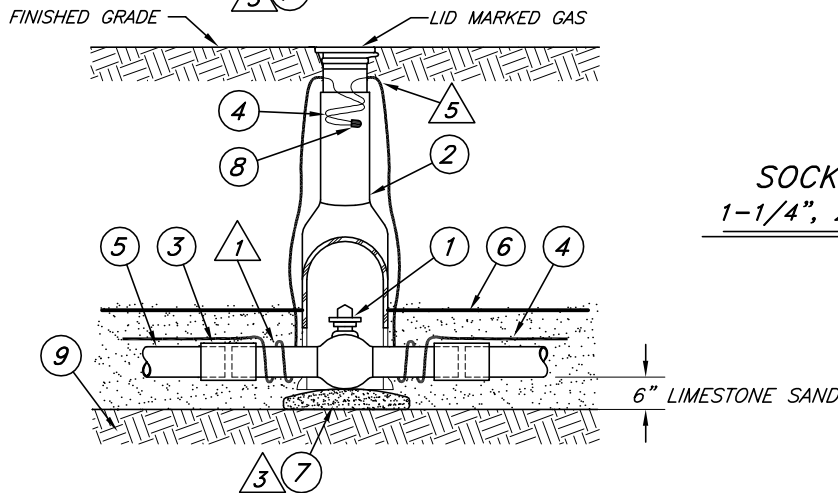


BUTT FUSION
2", 3", 4" & 6" \triangle



SOCKET FUSION
1-1/4", 2", 3", 4" & 6" \triangle \triangle

MATERIAL LIST

QTY	DESCRIPTION	STOCK NO.	QTY	DESCRIPTION	STOCK NO.
1	POLYETHYLENE VALVE 1-1/4"	204465	4	#10 LOCATOR WIRE	211571
	POLYETHYLENE VALVE 2"	204466			
	POLYETHYLENE VALVE 4"	204485	5	PLASTIC GAS MAIN	
	POLYETHYLENE VALVE 6"	206395			
2	VALVE BOX PER GS-170		6	NATURAL GAS WARNING TAPE	213312
3	(PREFERRED) SOCKET COUPLINGS \triangle		7	SAND BAGS	203244
	1-1/4" COUPLING	203060	8	1 DIRECT BURY SPLICE KIT	202577
	2" COUPLING	203065			
	4" COUPLING	203075	9	UNDISTURBED OR COMPACTED BOTTOM OF DITCH	
	(ALTERNATE) ELECTROFUSION COUPLINGS				
	1-1/4" COUPLING	203058			
	2" COUPLING	203063			
	3" COUPLING	203067			
	4"x3" REDUCER, SPIGOT - SEE NOTE 6	202899			
	4" COUPLING	203073			
	6" COUPLING	203078			

GENERAL NOTES

- 1 WRAP LOCATOR WIRE AROUND MAIN TO PREVENT PULLOUT.
- 2 2" AND LARGER VALVES SHOULD BE INSTALLED BY USING BUTT FUSION, ELIMINATING THE NEED FOR COUPLINGS.
- 3 SAND BAGS ARE PREFERRED FOR BLOCKING. WOOD BLOCKING MAY BE USED AS AN ALTERNATIVE.
- 4 USE ELECTROFUSION COUPLINGS IF CONNECTING A YELLOW (POLYETHYLENE) VALVE TO AN EXISTING PINK ("ALDYL") PLASTIC LINE,
- 5 FABRICATE A HOLE NEAR THE TOP OF BOX, THEN RUN THE LOCATOR WIRES INTO THE BOX ALLOWING ENOUGH WIRE TO EXTEND 2' ABOVE GRADE. CONNECT LOCATOR WIRES IN VALVE BOX WITH SPLICE KIT.
- 6 WHEN INSTALLING A VALVE IN A 3" LINE, USE A 4" VALVE WITH 4"x3" REDUCERS AND 3" AND 4" COUPLINGS AS NEEDED.

CONSTRUCTION STANDARD
CITY UTILITIES OF
SPRINGFIELD, MISSOURI

PLASTIC
VALVE INSTALLATIONS