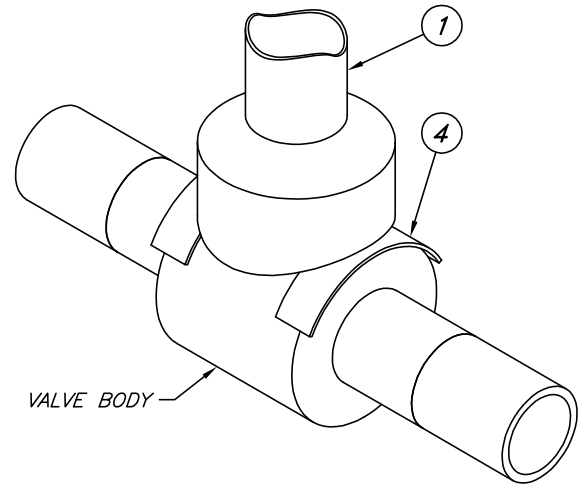


**VALVE BOX
STANDARD INSTALLATION** 1 4



**OVER-SIZED VALVE BODIES
ALTERNATE INSTALLATION** 2

MATERIAL LIST

QTY	DESCRIPTION	STOCK NO.
1	VALVE BOX, ADJUSTABLE: <i>USE</i>	
	<i>LID/APPLICATION</i> <i>BODY TYPE</i> <i>DEPTH</i>	
	TEST STATION/END OF MAIN OUT-OF-ROAD 4" SHAFT, 7" BASE 54" TO 66" (LONG)	204045
	TEST STATION/END OF MAIN IN-ROADWAY 4" SHAFT, 7" BASE 44" TO 56" (SHORT)	204037
	2" OR SMALLER VALVE IN-ROADWAY 6" SHAFT, 6" BASE 39" TO 56" (LONG)	204038
	2" OR SMALLER VALVE IN-ROADWAY 6" SHAFT, 6" BASE 31" TO 44" (SHORT)	204039
	4" AND LARGER VALVES IN-ROADWAY 6" SHAFT, 12" BASE 46" TO 68" (LONG)	207913
	4" AND LARGER VALVES IN-ROADWAY 6" SHAFT, 12" BASE 31" TO 44" (SHORT)	207890
2	MID RANGE DISK STYLE LOCATOR	210995
3	BLOCKING: (PREFERRED) WOOD (ALTERNATE) SANDBAG WITH DRAWSTRING	203244
4	1/4" RUBBER SHEET	202250

GENERAL NOTES

- 1 FOR SMALL VALVES, SUPPORT THE BOX WITH SANDBAGS OR WOOD BLOCKING SO NO WEIGHT FROM ABOVE TRANSFERS TO THE GAS MAIN.
- 2 WHEN THE BOX WILL NOT STRADDLE A VALVE BODY, MODIFY THE BASE TO REST ON THE VALVE AS SHOWN. INSERT RUBBER SHEETING TO PROTECT THE COATING ON STEEL VALVES.
- 3 SHORTEN UPPER AND LOWER TUBES TO ALLOW 12" OF TRAVEL, TO AVOID CONTACT WITH THE VALVE IF THE BOX IS CRUSHED FROM ABOVE.
- 4 BACKFILL CAREFULLY AROUND THE BOX MAKING CERTAIN THAT IT IS IN A USABLE POSITION. COMPACT THE BACKFILL MATERIAL AROUND VALVE BOX.

**CONSTRUCTION STANDARD
CITY UTILITIES OF
SPRINGFIELD, MISSOURI**

**TYPICAL EXTENSION TYPE
VALVE BOX**