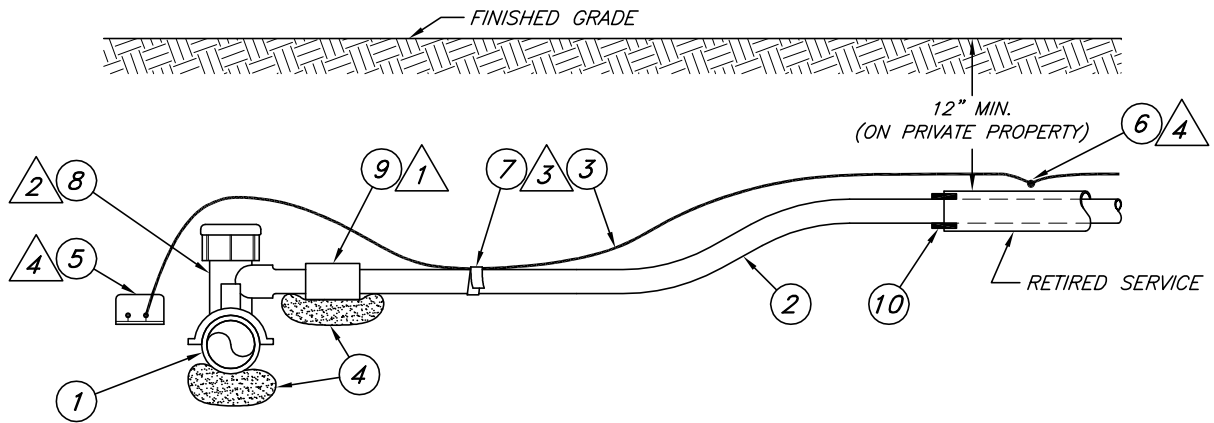


**3/4" PLASTIC SERVICE**



**3/4" PLASTIC INSERTION IN EXISTING SERVICE**

**MATERIAL LIST**

QTY	DESCRIPTION	STOCK NO.	QTY	DESCRIPTION	STOCK NO.
1	PLASTIC MAIN, 1-1/4" - 6"		8	1 ELECTROFUSION TAP TEE'S:	
2	3/4" PLASTIC PIPE	201205	1	1-1/4" x 3/4" x 0.8" PUNCH - NOTE 5	203425
3	#10 LOCATOR WIRE	211571		2" x 3/4" x 0.8" PUNCH	203430
4	SANDBAG WITH DRAW STRING	203244		3" x 3/4" x 0.8" PUNCH - SEE NOTE 5	202968
5	DIRECT BURY 3-WAY SPICE LUG	211804		4" x 3/4" x 0.8" PUNCH	203435
6	DIRECT BURY SPLICE KIT	202577	9	1 3/4" PLASTIC COUPLING:	
7	POLY TAPE	211522	1	(PREFERRED) SOCKET	203050
				(ALTERNATE) ELECTROFUSION	203048
			10	1 3/4"x1-1/4" SLEEVE INSERT PROTECTOR	203270

**GENERAL NOTES**

- 1 INSTALL A 3/4" EXCESS FLOW VALVE PER GS-212 IF APPLICABLE.
- 2 AIR PRESSURE TEST PER GS-555 PRIOR TO TAPPING THE MAIN.
- 3 LOCATOR WIRE SHALL BE INSTALLED DIRECTLY ABOVE THE GAS PIPE, AND TAPED TO THE NEW PIPE NEAR THE TAP TEE AND EVERY 20' WITH POLY TAPE.
- 4 PROVIDE A CONTINUOUS TRACE-SIGNAL PATH FROM THE MAIN TO THE SERVICE RISER BY CONNECTING NEW LOCATOR WIRE TO THE EXISTING LOCATOR WIRE, USING SPLICE KITS, OR BY THERMITE WELDING TO THE ENDS OF THE RETIRED STEEL SERVICE (PER GS-415).
- 5 SOCKET-WELD PIPE TO OUTLET OF THE TAP TEE. NO COUPLING REQUIRED.

**CONSTRUCTION STANDARD  
CITY UTILITIES OF  
SPRINGFIELD, MISSOURI**

**INSTALLATION OF  
3/4" PLASTIC SERVICE  
FROM PLASTIC MAIN**