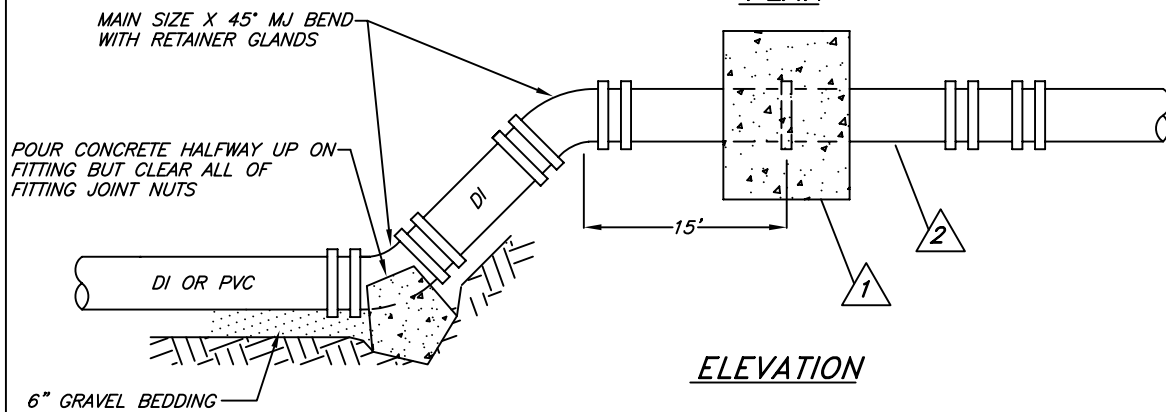


PLAN



ELEVATION

MATERIAL LIST

QTY	DESCRIPTION	STOCK NO.	QTY	DESCRIPTION	STOCK NO.
1 AS REQ.	PVC PIPE OR DI PIPE				
2	MJ SOLID SLEEVE				
3 AS REQ.	DI PIPE				
4	CONCRETE THRUST COLLAR W/RETAINER GLAND				
5	2 MAIN SIZE X 45° MJ BEND W/RETAINER GLAND				

GENERAL NOTES

- 1 SEE STANDARD FOR THRUST COLLAR DETAILS.
- 2 FULL 18' SECTION OF DI PIPE.
- 3 SEE STANDARD FOR THRUST BLOCK.
- 4 THIS METHOD OF INSTALLATION IS ALSO AN ACCEPTABLE STANDARD WHEN USING BENDS LESS THAN 45 DEGREES.

**CONSTRUCTION STANDARD
CITY UTILITIES
OF SPRINGFIELD, MISSOURI**

**TYPICAL SINGLE OFFSET
WITH BENDS
NEW CONSTRUCTION**