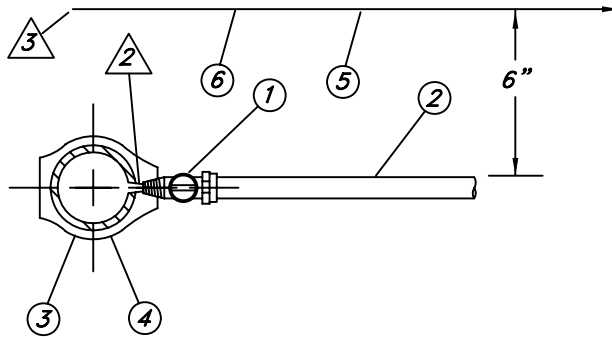


DIRECT TAP
(GRAY & DUCTILE IRON MAINS)



SADDLE W/CORPORATION STOP
(AC & PVC MAINS)

MATERIAL LIST

| QTY | DESCRIPTION | STOCK NO. | QTY | DESCRIPTION | STOCK NO. |
|------------|--|-----------|-----|-------------|-----------|
| 1 | CORPORATION STOP 1" AWWA THREAD X 1" PACK JOINT | 307348 | | | |
| 2 AS REQ'D | 1" PVC PIPE | 301016 | | | |
| 3 | SERVICE SADDLE, PVC MAIN SIZE X 1" PACK JOINT | * | | | |
| 4 | SERVICE SADDLE, 6" AC MAIN SIZE X 1" AWWA THREAD (BRASS) | 307306 | | | |
| 1 | SERVICE SADDLE, 8" AC MAIN SIZE X 1" AWWA THREAD (BRASS) | 307316 | | | |
| 5 AS REQ'D | TRACER WIRE | 211571 | | | |
| 6 | DIRECT BURY SPLICE KIT | 211804 | | | |

GENERAL NOTES

- 1 DIRECT TAP GRAY CAST IRON & DUCTILE CAST IRON MAINS.
 - 2 DRILL THRU CORP. (UNDER PRESSURE)
 - 3 DO NOT CONNECT TO PIPE/SADDLE
- * - VARIES WITH PIPE SIZE

CONSTRUCTION STANDARD
CITY UTILITIES
OF SPRINGFIELD, MISSOURI

TYPICAL 1" PVC WATER
SERVICE CONNECTION
ON EXISTING MAIN