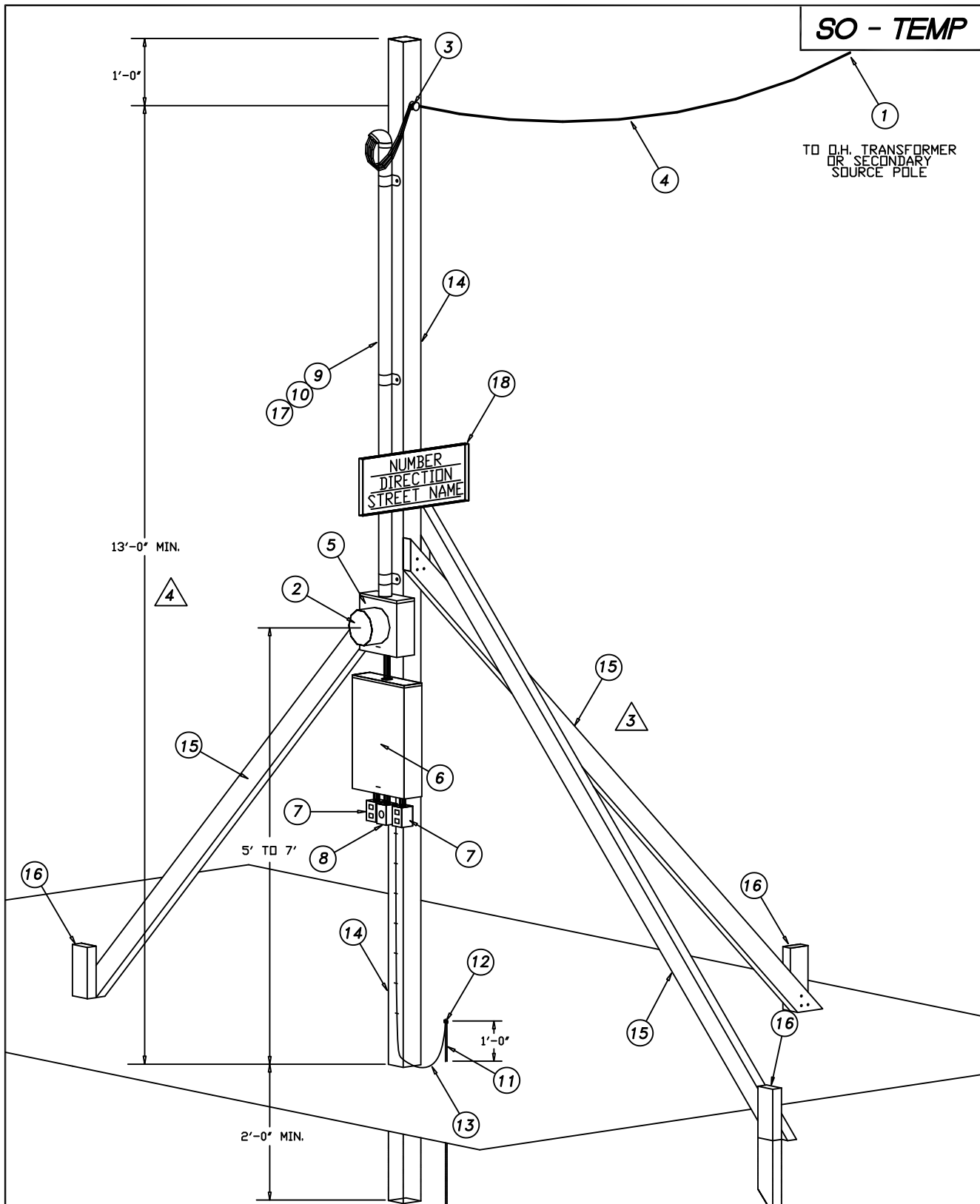
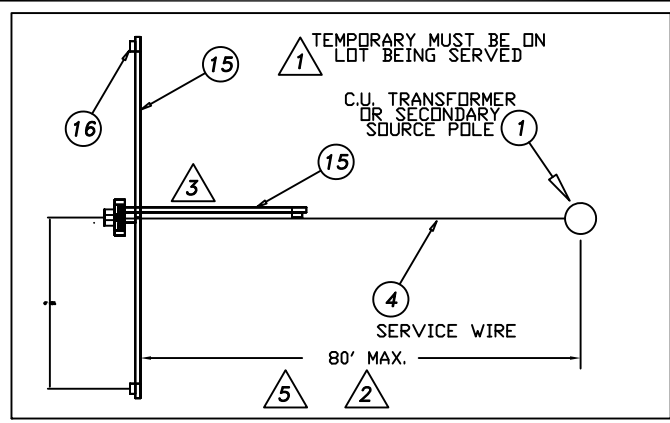


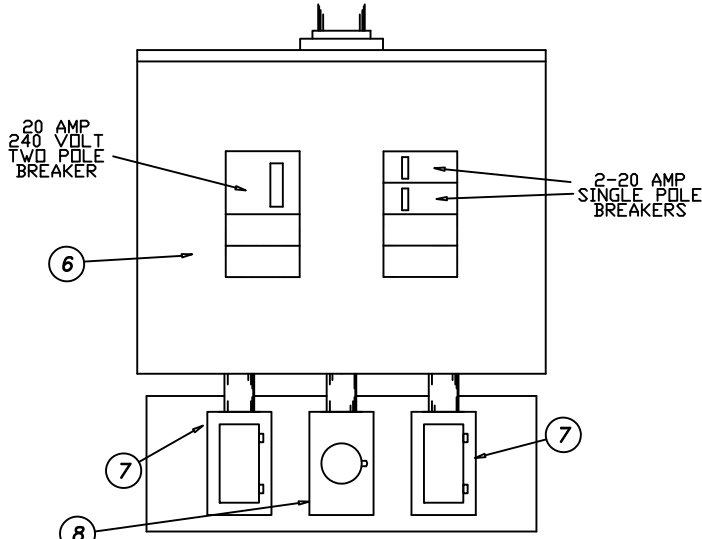
**SO - TEMP**



<b>ELECTRIC SERVICE STANDARD</b>				
<b>CITY UTILITIES OF SPRINGFIELD MO.</b>				
DRAWN BY: GILMORE	SERVICE OVERHEAD TEMPORARY			
REV BY: W.BROOKS				
FILE: SO-TEMP1	APPROVED: 08/19/02	REVISED: 08/16/02	SHEET OF 1 OF 2	STD. NO. SO - TEMP



**EQUIPMENT LOCATION DETAIL**



**BREAKER BOX AND RECEPTACLE DETAIL**

**MATERIAL LIST**

QTY.	DESCRIPTION	STOCK NO.	QTY.	DESCRIPTION	STOCK NO.
<b>FURNISHED BY CITY UTILITIES</b>					
1.	1 CITY UTILITY TRANSFORMER OR SECONDARY SOURCE POLE		9.	LEN. AS REQ 1' EMT OR RIGID CONDUIT (WITH WEATHERHEAD & RAIN-TIGHT HUB)	
2.	1 METER (AS REQUIRED)		10.	LEN. AS REQ SERVICE WIRE, MINIMUM #6 COPPER CONDUCTOR (TYPE RHW, THHW, THWN, OR XHHW INSULATION) LEAVE 2' OF WIRE EXTENDING OUT OF WEATHERHEAD.	
3.	1 HOUSE KNOB (INSULATOR)		11.	1 GROUND ROD 5/8" X 8' (LEAVE 12" OF GROUND ROD OUT OF GROUND)	
4.	1 TRIPLEX SERVICE DROP CONDUCTOR LENGTH AS REQUIRED		12.	1 GROUND ROD CLAMP	
<b>FURNISHED BY CUSTOMER</b>					
5.	1 METER BASE (4-TERMINAL, 5-TERMINAL 120/208V WEATHER PROOF)		13.	LEN. AS REQ GROUND WIRE #6 BARE COPPER	
6.	1 BREAKER BDX-(100 AMP) MAIN LUG ONLY, 6 OR 8 SPACE BREAKER SPACES-WEATHER PROOF		14.	1 POST-CCA TREATED 4' X 4' X 16' (EQUIPMENT SUPPORT), SET MINIMUM 2' DEEP	
7.	2 120 VOLT GFCI RECEPTACLE EACH PROTECTED BY 20 AMP BREAKER EACH RECEPTACLE TO BE INSTALLED IN WEATHER PROOF BOX WITH WEATHER PROOF COVER		15.	3 BRACE-CCA TREATED 2" X 4" X 10' MINIMUM	
8.	1 208/240 VOLT RECEPTACLE, PROTECTED BY A 20 AMP 2 POLE BREAKER (RECEPTACLE TO BE INSTALLED IN WEATHER PROOF BOX WITH WEATHER PROOF COVER)		16.	3 STAKES-CCA TREATED 2" X 4" X 24"	
			17.	3 CONDUIT STRAP (2-HOLE) FOR 1" CONDUIT	
			18.	1 SERVICE ADDRESS, (3" HIGH LETTERS) IF ADDRESS IS NOT ON YOUR TEMPORARY IT WILL NOT BE HOOKED UP.	

**GENERAL NOTES**

- TEMPORARY MUST BE LOCATED ON LOT BEING SERVED, NOT ON ADJACENT PROPERTY OR CITY, COUNTY OR STATE RIGHT-OF-WAY.
- TEMPORARY TO BE LOCATED AT LEAST 10' AND NOT MORE THAN 80' FROM CITY UTILITIES POLES AND EQUIPMENT.
- CENTER BRACE MUST BE POINTED TOWARD TRANSFORMER OR SECONDARY POLE.
- MINIMUM HEIGHT IS 21' IF SERVICE DROP CONDUCTOR CROSSES OVER A STREET OR DRIVEWAY.
- TEMPORARY NOT TO BE LOCATED UNDER OR WITHIN 10' OF ANY C.U. POWER LINE.
- IF MORE THAN 6 BREAKERS ARE REQUIRED FOR YOUR TEMPORARY, CONTACT THE SERVICE OR ENGINEERING DEPT. TO DETERMINE PROPER SERVICE CONFIGURATION
- TEMPORARY SERVICES MAY NOT BE ATTACHED TO C.U. POLES OR EQUIPMENT FOR SUPPORT.
- ALL ADDITIONAL 120 VOLT RECEPTACLES MUST BE GFCI PROTECTED.
- ALL ADDITIONAL 240 VOLT RECEPTACLES MUST BE BREAKER PROTECTED.

**ELECTRIC SERVICE STANDARDS CITY UTILITIES OF SPRINGFIELD MO.**

**SERVICE OVERHEAD TEMPORARY**

DRAWN BY: GILMORE  
 REV BY: K.DENTON  
 FILE: SO-TEMP2

APPROVED: 10/29/14      REVISED: 03/01/18      SHEET OF 2      STD. NO. **SO - TEMP**