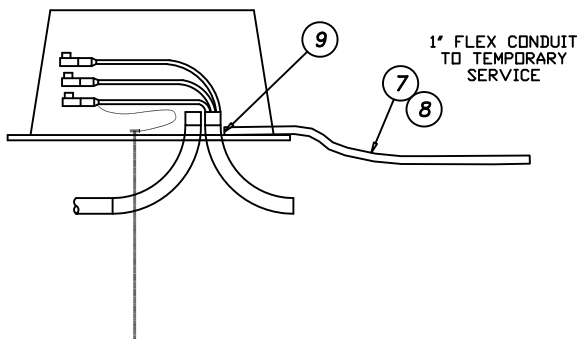
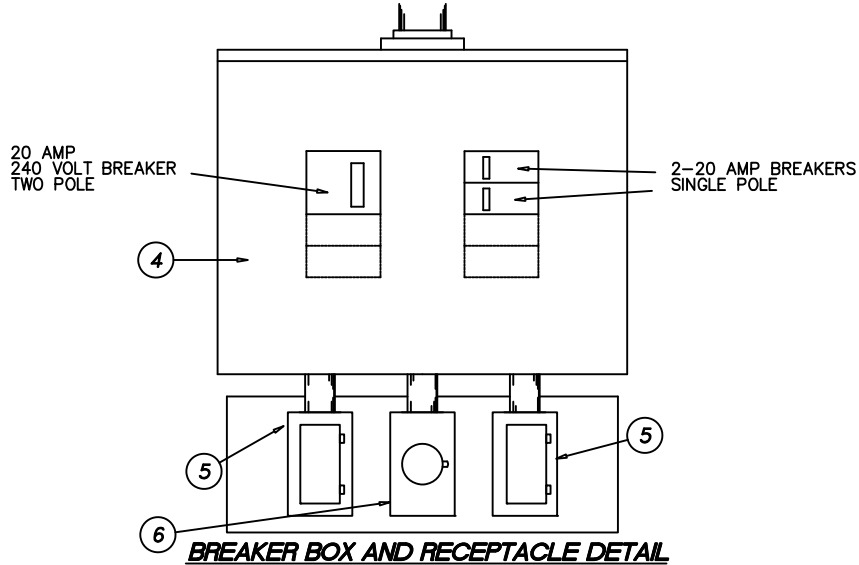
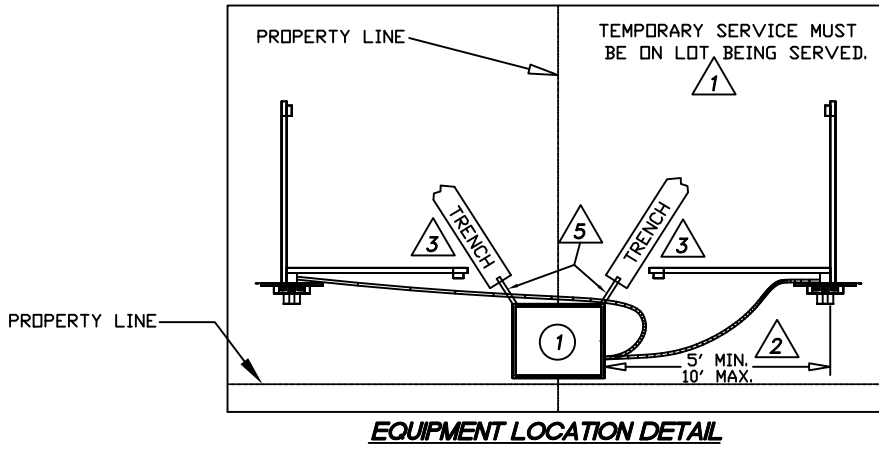


SECONDARY SERVICE PEDESTAL



ELECTRIC SERVICE STANDARD CITY UTILITIES OF SPRINGFIELD MO.			
DRAWN BY: GILMORE		SERVICE UNDERGROUND TEMPORARY	
REV BY: K.DENTON			
FILE: SU-TEMP1			
APPROVED: 10/29/14	REVISED: 03/19/18	SHEET OF 1 OF 2	STD. NO. SU - TEMP



MATERIAL LIST

QTY.	DESCRIPTION	STOCK NO.	QTY.	DESCRIPTION	STOCK NO.
FURNISHED BY CITY UTILITIES					
1.	PAD MOUNT TRANSFORMER OR SECONDARY SERVICE PEDESTAL (EXISTING).		9.	1" CONDUIT CONNECTOR FOR FLEXIBLE SEAL-TIGHT CONDUIT(CONNECTION TO XFMR OR PEDESTAL)	
2.	METER AS REQUIRED.		10.	1"(90°)CONDUIT CONNECTOR FOR FLEXIBLE SEAL-TIGHT CONDUIT(CONNECTION TO METER BASE)	
FURNISHED BY CUSTOMER					
3.	METER BASE (4 TERMINAL OR 5 TERMINAL 120/208 VOLT/WEATHERPROOF)		11.	GROUND ROD 5/8" X 8' (LEAVE 12" OF GROUND ROD OUT OF GROUND.)	
4.	BREAKER BOX-100 AMP, MAIN LUG ONLY, 6 OR 8 BREAKER SPACES, WEATHER PROOF.		12.	GROUND ROD CLAMP	
5.	2 120 VOLT GFCI RECEPTACLE, EACH PROTECTED BY A 20 AMP BREAKER. RECEPTACLE TO BE INSTALLED IN A WEATHER PROOF BOX WITH WEATHER PROOF COVER.		13.	LEN. AS REQ GROUND WIRE-#6 BARE COPPER	
6.	240 VOLT RECEPTACLE, PROTECTED BY A 20 AMP 2 POLE BREAKER. RECEPTACLE TO BE INSTALLED IN WEATHER PROOF BOX W/WEATHER PROOF COVER		14.	1 POST-C.C.A TREATED 4" X 4" X 9'(SET 2' DEEP) (TO SUPPORT METER & MISC. EQUIPMENT)	
7.	LEN. AS REQ 1" FLEXIBLE SEAL TIGHT CONDUIT		15.	2 WOOD BRACES-C.C.A. TREATED 2" X 4" X 8'	
8.	LEN. AS REQ SERVICE WIRE, MINIMUM #6 COPPER CONDUCTOR (TYPE RHW, THHW, THWN OR XHHW INSULATION) EXTEND 3' OF SERVICE WIRE BEYOND END OF FLEX CONDUIT FOR CONNECTION TO C.U. TRANSFORMER OR SECONDARY SERVICE PEDESTAL		16.	2 STAKES-C.C.A. TREATED 2" X 4" X 24"	
			17.	4 2 HOLE CONDUIT STRAP FOR 1" SEAL-TIGHT CONDUIT	
			18.	1 SERVICE ADDRESS(3" HIGH LETTERS) IF ADDRESS IS NOT ON YOUR TEMPORARY SERVICE, IT WILL NOT BE CONNECTED.	

- GENERAL NOTES**
- TEMPORARY SERVICE MUST BE ON LOT BEING SERVED, NOT ON ADJACENT PROPERTY OR CITY, COUNTY OR STATE RIGHT-OF-WAY.
 - TEMPORARY SERVICE MUST BE LOCATED MORE THAN 5' BUT LESS THAN 10' FROM TRANSFORMER OR SECONDARY SERVICE PEDESTAL.
 - PLACE TEMPORARY SERVICE SO IT WILL NOT HAVE TO BE MOVED OR TAKEN DOWN WHEN CONNECTIONS TO PERMANENT SERVICE ELL'S ARE MADE.
 - CITY UTILITIES WILL MAKE ALL CONNECTIONS TO AND INSIDE THE TRANSFORMER OR SECONDARY SERVICE PEDESTALS.
 - EXISTING SERVICE ELLS.
 - ALL ADDITIONAL 120 VOLT RECEPTACLES MUST BE GFCI PROTECTED
 - ALL ADDITIONAL 208/240 VOLT RECEPTACLES MUST BE BREAKER PROTECTED.
 - IF MORE THAN 6 BREAKERS ARE REQUIRED FOR YOUR TEMPORARY, CONTACT THE SERVICE OR ENGINEERING DEPT. TO DETERMINE PROPER SERVICE CONFIGURATION.
 - TEMPORARY SERVICES MAY NOT BE ATTACHED TO C.U. PROPERTY FOR SUPPORT.

**ELECTRIC SERVICE STANDARD
CITY UTILITIES OF SPRINGFIELD MO.**

DRAWN BY:
GILMORE

REV BY:
K.DENTON

FILE:
SU-TEMP2

APPROVED: 10/29/14

REVISED: 03/19/18

SHEET OF 2 2

STD. NO.
SU-TEMP

SERVICE UNDERGROUND TEMPORARY